

H A R B O U R

# 34 Bottle Wine Cabinet

INSTRUCTION MANUAL



IM VERSION: V1.2 | MODEL: HBRWC34B | PRODUCT CODE: 708205 | ISSUE DATE: 03/2022  
SUPPORT: 1300 11 4357 | [WWW.HARBOUR-APPLIANCES.COM.AU](http://WWW.HARBOUR-APPLIANCES.COM.AU)

# Welcome

**Congratulations on purchasing your new Wine Cabinet.**

All products brought to you by Harbour are manufactured to the highest standards of performance and safety and, as part of our philosophy of customer service and satisfaction, are backed by our comprehensive 3 Year In Home Warranty. We hope you will enjoy using your purchase for many years to come.

# Contents

- 2** Welcome
- 4** Warranty Details
- 5** General Safety Instructions
- 9** Product Overview
- 10** Getting Started
- 11** Installation Instructions
- 12** Operation Instructions
- 13** Bottle Arrangement
- 14** Tips for Wine Storage
- 15** Maintenance and Cleaning
- 16** FAQs and Troubleshooting
- 17** Specifications
- 18** Repair and Refurbished Goods or Parts Notice
- 19** Warranty Returns



# H A R B U R

Wine Cabinet 34 Bottle Capacity

## Warranty Details

---

REGISTER YOUR PURCHASE AT [www.aldi.com.au/en/about-aldi/product-registration/](http://www.aldi.com.au/en/about-aldi/product-registration/) TO KEEP UP-TO-DATE WITH IMPORTANT PRODUCT INFORMATION

---

The product is guaranteed to be free from defects in workmanship and parts for a period of 36 months from the date of purchase. Defects that occur within this warranty period, under normal use and care, will be repaired, replaced or refunded at our discretion. The benefits conferred by this warranty are in addition to all rights and remedies in respect of the product that the consumer has under the Competition and Consumer Act 2010 and similar state and territory laws.

Our goods come with guarantees that cannot be excluded under the Australian Consumer Law. You are entitled to a replacement or refund for a major failure and for compensation for any other reasonably foreseeable loss or damage. You are also entitled to have the goods repaired or replaced if the goods fail to be of acceptable quality and the failure does not amount to a major failure.



# General Safety Instructions

## IMPORTANT SAFETY INSTRUCTIONS READ CAREFULLY AND KEEP FOR FUTURE REFERENCE

Read this manual thoroughly before first use, even if you are familiar with this type of product. The safety precautions enclosed herein reduce the risk of fire, electric shock and injury when correctly adhered to. Make sure you understand all instructions and warnings.

Keep the manual in a safe place for future reference, along with the completed warranty card and purchase receipt. If you sell or transfer ownership of this product, pass on these instructions to the new owner.

Always follow basic safety precautions and accident prevention measures when using an electrical appliance, including the following:

**IMPORTANT:** Pay particular attention to messages that contain the words **DANGER**, **WARNING** or **CAUTION**. These words are used to alert you to a potential hazard that can seriously injure you and others. The instructions will tell you how to reduce the chance of injury and let you know what can happen if the instructions are not followed.



This symbol alerts you to take care as this appliance contains a flammable refrigerant (isobutane) and insulation blowing gas (cyclopentane). Do not expose it to high heat, sparks and open flames.

The refrigerant isobutane (R600a) is contained within the refrigerant circuit of the appliance, a gas with a high level of environmental compatibility, which is nevertheless flammable. During transportation and installation of the appliance, ensure that none of the components of the refrigerant circuit become damaged.

**WARNING: Do not damage the refrigerant circuit! Never use an appliance with a damaged refrigerant circuit!** If the refrigerant circuit becomes damaged, avoid proximity to open fires and all types of heat and ignition sources. Thoroughly ventilate the room in which the appliance is located.

**DANGER:** It is hazardous for anyone other than an authorised service person to service this appliance. In Queensland, the authorised service person **MUST** hold a Gas Work Authorisation for hydrocarbon refrigerants to carry out servicing or repairs which involve the removal of covers.

The room for installing the appliance must be at least 1m<sup>3</sup> per 8g of refrigerant. The amount and type of refrigerant in the appliance can be found in the Technical Specifications section of this user manual and on the rating plate, found on the appliance.

## USAGE CONDITIONS AND RESTRICTIONS

- **Domestic use only:** This appliance is intended for indoor household use only. It is not intended for commercial, industrial or outdoor use. It is not intended for use in a recreational vehicle.
- **Purpose:** Do not use this appliance for anything other than its intended purpose. Other uses are not recommended and may cause fire, electric shock or personal injury.
- **Attachments:** The use of attachments is not recommended by the appliance manufacturer and distributor as they may be hazardous.
- **Improper use:** Damage due to improper use, or repairs made by unqualified personnel will void your warranty. We assume no liability for any eventual damages caused by misuse of the product or noncompliance with these instructions.

## GENERAL SAFETY INSTRUCTIONS CONT.

- **WARNING:** Do not use mechanical devices or other means to accelerate the defrosting process, other than those recommended by the manufacturer.
- **Usage restriction:** This appliance is not intended for use by persons (including children) with reduced physical, sensory or mental capabilities, or lack of experience and knowledge, unless they have been given supervision or instructions concerning use of the appliance by a person responsible for their safety.
- **Children:** Supervise young children to ensure they do not play with the appliance. Never allow children to operate, play with or crawl inside the appliance.
- **WARNING:** Do not use electrical appliances inside the appliance, unless they are of the type recommended by the manufacturer.
- **Explosive or flammable substances:** Do not store explosive substances such as aerosol cans with a flammable propellant in this appliance. Do not store or use petrol or any other flammable vapours and liquids in the vicinity of this or any other appliance. Do not use such substances for cleaning the appliance. The fumes can create a fire hazard or an explosion.
- **Damage:** Do not use the appliance if the power cord, plug or the appliance itself is damaged. If the cord is damaged, contact the after sales support line and have the cord replaced by qualified personnel in order to avoid a hazard.
- **WARNING:** Do not damage the refrigerant circuit.
- **Do not modify:** Do not attempt to alter or modify this appliance in any way.
- **Repair:** Do not attempt to repair or replace any part of this appliance unless it is specifically recommended in this manual. All other servicing should be referred to a qualified technician. Contact the after sales support line for advice.
- **WARNING:** Do not locate multiple portable socket-outlets or portable power supplies at the rear of the appliance.
- **Usage:** The gaps between Wine Cabinet's door and cabinet are small—please be careful to avoid jamming your fingers in these areas. Please be gentle when closing or opening the cabinet door to avoid causing objects to fall.
- **Care:** Do not use cabinet body, cabinet door, etc. as pedal or support

## ELECTRICAL SAFETY

- **Voltage:** Before connecting and turning on the appliance, ensure the electrical voltage and circuit frequency correspond to that indicated on the appliance rating label.
- **Earthing:** This appliance should be properly earthed for your safety. The power cord of this appliance is equipped with a three-prong plug for use in standard wall outlets to minimise the possibility of electrical shock. Do not modify the cord and/or plug provided with the appliance. Improper use of the earthed plug can result in the risk of electric shock.
- **Connection:** This appliance requires a standard 220–240 V AC 50Hz electrical outlet. Do not overload the electrical circuit.
- **Power cord:** Do not kink or damage the power cord; do not leave it exposed or dangling. Secure it at the back of the appliance so no one steps on or places anything on the cord or against it. Keep the cord out of reach of children. When moving the appliance, make sure not to damage the power cord. When removing the power cord, firmly grasp the plug and pull out it from the socket directly.
- **Auxiliary Items:** Do not use an inverter, adaptor or extension cord with this appliance. If the cord is too short, have a qualified electrician install an outlet near the appliance. Use of an extension cord and an inverter can negatively affect the performance of the unit.
- **Protect from moisture:** To protect against the risk of electric shock, do not immerse the unit, cord or plug in water or spray it with any other liquid. Do not connect or disconnect the electric plug when your hands are wet. Turn the power switch off before removing the plug from the socket.
- **WARNING: Disconnect!** To reduce the risk of fire, electric shock or personal injury, always unplug the appliance from the socket when not in use, when moving and before cleaning or servicing. Never unplug the unit by pulling the power cord. Always grip the plug firmly and pull straight out from the power point.
- **Electrical work:** Any electrical work required for the installation of this appliance should be carried out by a qualified electrician.

## GENERAL SAFETY INSTRUCTIONS CONT.

**Never use this appliance with a damaged refrigerant circuit!** If the coolant circuit becomes damaged, avoid proximity to open fires and all types of heat sources. The room in which the appliance is located should be ventilated for a few minutes.

**WARNING: Leaking Gas:** In the case of leaking gas, turn off the valve of the leaking gas, open the doors and windows in case of leakage of gas and other flammable gases. Do not unplug the cabinet and other electrical appliances considering that spark may cause a fire.

### INSTALLATION

**Heavy:** This appliance is heavy, take care when moving it. To avoid back or other injury, consider a two person lift or mechanical aid when installing it. Failure to do so can result in back or other injury.

**Damage:** When unpacking, check the appliance carefully for damage. If it is damaged, do not install the appliance. Contact our after sales support centre on 1300 11 43 57 for advice on examination or return of the damaged appliance.

**Protect from moisture:** Install the appliance in an indoor area protected from wind, rain, water spray or drips.

**Protect from heat:** Do not install the appliance next to an oven, grill or other source of high heat, or where it will be exposed to direct sunlight for prolonged periods of time.

**WARNING: Ventilation:** To ensure proper ventilation, keep any ventilation openings, in the appliance enclosure or in the built-in structure, clear of obstructions. Ensure adequate air circulation around the appliance to prevent overheating.

**Level:** Install the appliance level in order to ensure proper operation.

**Location:** To ensure safety, it is not recommended to place socket, regulators, rice cookers, microwave ovens and other appliances at the top of the wine cabinet, those recommended by the manufacturer are not included. Do not use electrical appliances in the food pantry.

**Children:** Do not give any packaging and other components to children to play. The bending board and plastic film may lead to suffocation! To prevent from any potential injury, do not allow children to enter or climb the cabinet.

### CLEANING AND MAINTENANCE

**Disconnect:** Unplug the appliance before cleaning or servicing. Failure to do so can result in electric shock, injury or death. Do not connect or disconnect the plug when your hands are wet.

**Flames:** Do not let open flames or ignition sources enter the appliance.

**Flammable/explosive substances:** Never clean this appliance with flammable fluids. Do not store or use volatile, flammable or explosive propellants or liquids in or close to this or any other appliance. The fumes can create a fire hazard or explosion.

**Washing:** Do not spray or wash the cabinet; do not put the cabinet in moist places easy to be splashed with water so as not to affect the electrical insulation properties of the cabinet.

**Solvents:** Do not use solvent based cleaning agents or abrasives on the interior as these may damage or discolour the surfaces of the appliances.

**WARNING!** Do not use mechanical devices or other means to accelerate the defrosting process. Never use a sharp or metal instrument to remove frost or clean the appliance. Use a plastic scraper, if necessary.

**Service:** Do not attempt to repair, modify or replace any part of the appliance unless specifically recommended in this manual. Refer all other servicing to a qualified technician, or contact the after sales support line for advice on examination or repair of the appliance.

## GENERAL SAFETY INSTRUCTIONS CONT.

### WARNINGS RELATED TO PLACING ITEMS

- **Objects:** Do not place heavy objects on the top of the cabinet considering that objects may fall when opening or closing the door, and accidental injuries might be caused.
- **Items in the cabinet:** Do not put flammable, explosive, volatile and highly corrosive items in the cabinet to prevent damages to the product or fire accidents.
- **Flammable items:** Do not place flammable items near the cabinet to avoid fires.
- **Usage:** This product is a household wine cabinet and this equipment can only be used for the storage of wine. According to the standard requirements, household wine cabinets shall not be used for other purposes, such as storage of blood, drugs or biological products.

### KEYS

- This wine cabinet is fitted with a door lock and supplied with keys to lock your door. Please ensure that the keys are always kept out of reach of children and not left within the vicinity of the wine cabinet to prevent children from accessing the appliance.

### ENERGY WARNINGS

- Your Wine Cabinet might not operate consistently when used for an extended period of time below the cold end of the range of temperatures for which the appliance has been designed for use in.

### RESPONSIBLE DISPOSAL

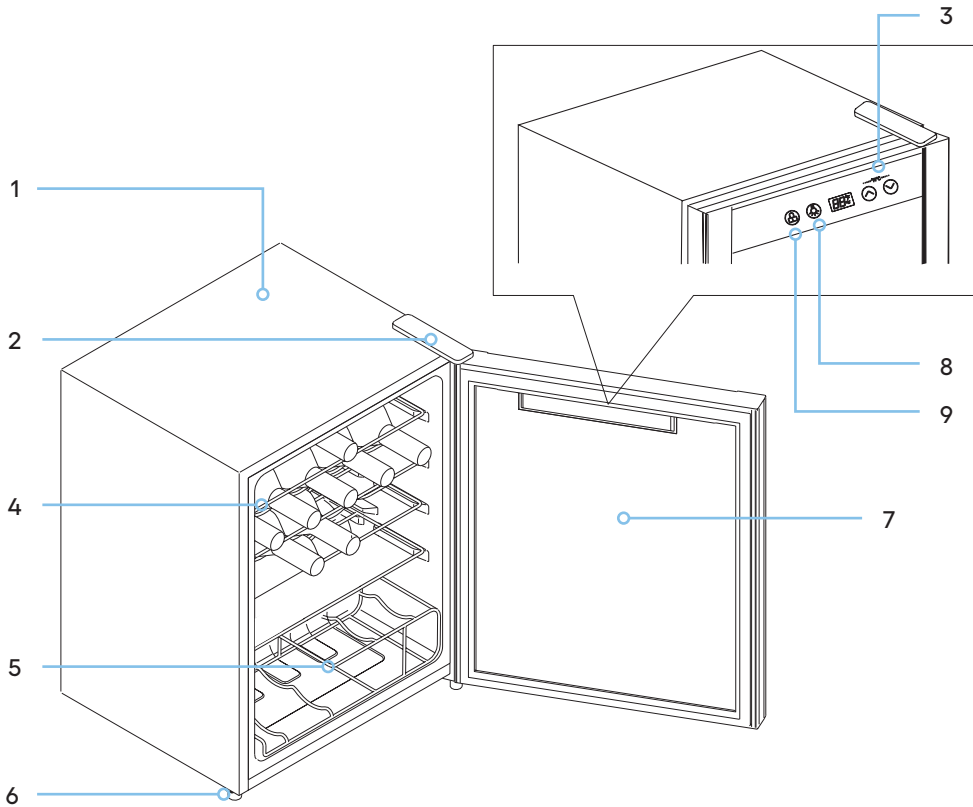
**Note:** At the end of its working life, do not throw this appliance out with your household rubbish. Electrical and electronic products contain substances that can have a detrimental effect on the environment and human health if disposed of inappropriately. Observe any local regulations regarding the disposal of electrical consumer goods and dispose of it appropriately for recycling and recovery of the refrigerant and blowing agent. Contact your local council for advice on recycling facilities in your area. When the wine cabinet is scrapped, disassemble the doors, and remove gasket of door and shelves; put the doors and shelves in a proper place, so as to prevent entrapment of any children.

**WARNING!** This refrigeration appliance contains flammable refrigerants and insulation blowing gases, which must be removed before disposal. Contact your municipal authorities for any codes or regulations concerning the disposal of such materials.



# Product Overview

## WINE CABINET LAYOUT



Key:

1. Cabinet exterior
2. Door hinge cover
3. Temperature control panel
4. Wooden shelves (6)
5. Chrome storage basket (1)
6. Adjustable feet
7. Double glazed tinted glass door
8. Light switch
9. Child lock

Not shown but also included:

- 1 × Instruction manual
- 1 × Quick start guide
- 1 × Warranty certificate

*Note: The images in this user manual are for reference only. Your appliance may appear differently.*

# Getting Started

## UNPACKING

- **Packaging materials:** This appliance has been packaged to protect it against transportation damage. Remove all packaging materials from around and inside the appliance including the bottom cushions, foam pads, tapes inside the cabinet, tear off the protective film on the door and the cabinet body. Keep the original packaging carton and materials in a safe place. It will help prevent any damage if the product needs to be transported in the future, and you can use it to store the appliance when it is not in use. In the event the carton is to be disposed of, please recycle all packaging materials where possible.
- **Check:** to see if all items are present.
- **Inspect:** the equipment and accessories for transport damage. In case of complaints, the supplier is to be informed immediately.
- **Suffocation:** Plastic wrapping can be a suffocation hazard for babies and young children, so ensure all packaging materials are out of their reach and disposed of safely.
- **Power cord:** Unwind the power cord to its full length and inspect it for damage. Do not use the appliance if it or its cord have been damaged or are not working properly. In case of damage, contact our after sales support line for advice on examination, repair or return of the damaged product.
- **Read the manual:** Read this manual to familiarise yourself with the appliance. Pay particular attention to the safety instructions on the previous pages.
- **Clean:** To remove any dust from transit and storage, clean the interior and exterior surfaces of the appliance with lukewarm water and a soft cloth. Dry thoroughly. **Important:** do not use harsh or abrasive detergents or powders as these will damage the finish.

## FIRST USE

Before turning on your wine cabinet for the first time:

- The wine cabinet must be rested for at least half an hour before connecting it to power.
- Clean the inner cavity with a mildly wet cloth and dry thoroughly. Leave the door open for this resting time for any residual odours to dissipate.
- Do not connect wine cabinet to electronic energy saving plug and converter that can convert DC into AC (E.g.: solar energy system. ship grid).
- Water drop or frost will be generated on back side of wine cabinet when compressor is running. This is a normal function of wine cabinets and wiping out frost or water drop is not required as they will evaporate automatically. The defrosted water will be collected into drain tank and then inflow into water disposal pan above the compressor and vaporized.

# Installation Instructions

**Floor surface:** This appliance must be properly positioned on a dry, sturdy, level surface that is strong enough to support it when it is fully loaded. Rotate left or right to adjust the levelling wheel if unstable. If it is to be placed on carpet, support it with a wooden board underneath. This appliance is designed to be freestanding only and should not be recessed or built in.

**Clearances:** Ensure that air can circulate freely around the back of the cabinet, which is necessary to cool the compressor and condenser. Allow at least 4cm clear space at the back and sides of the unit. Failure to do so will increase compressor's power and further increase power consumption. It is also necessary to maintain distance for doors to open at least 90°.

**Wall Units Above:** Ideally, the appliance should not be positioned below overhanging wall units. However, if the appliance must be positioned below an overhanging wall unit, make sure to allow sufficient room so you can comfortably open the lid and access the contents.

**DO NOT** install/use the appliance in the following locations/situations:

- In moist areas or areas of high humidity.
- In a recreational vehicle, or for use with an inverter.
- In direct sunlight, near heat sources, next to an open flame, cooking or heating appliance, or near any other source of high heat.
- Direct sunlight may affect the acrylic coating and heat sources may increase the unit's power consumption. For best energy efficiency install the appliance in the coolest area of the room.
- In an area with extreme cold ambient temperatures.
- In an area with excessive moisture and high humidity. Make sure it is protected from elements such as wind, rain, water spray or drips.
- In an area where petrol or other explosive and/or flammable liquids or fumes are used or stored. The fumes can create a fire hazard or explosion.

## **ENERGY SAVING TIPS**

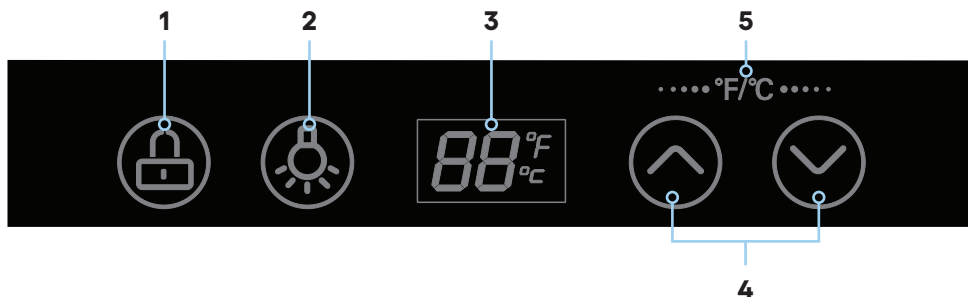
The appliance should be placed in the coolest area of the room, away from heat producing appliances or heating ducts. A suitable insulation board shall be applied if necessary.

Please avoid placement in direct sunlight.

Try to shorten opening time of cabinet's door.

# Operation Instructions

## TEMPERATURE CONTROL PANEL



When powering on the wine cabinet for 1st time, the display screen will display in full for 3 seconds and the start-up tone will sound before entering the normal running the display.

When it is in the locked state, the display screen will turn off if there is no key operation for 30 seconds. The display screen recover the normal display if there is any key operation.

**Note:** This cabinet adopts a touch control on the glass door. Touch softly when pressing the keys. Avoided scratching the area of the display panel by using the sharp objects and keep the appliances away from the environments with a high magnetic field and high humidity. Failure to do so may impact the cabinet from operating normally.

### 1. Child Lock Button

Press and hold this button for 3 seconds to Unlock and Lock the Control Panel.  
All functions except the lighting function will be disabled under the locked state.



### 2. Light Button

Press the Light button to turn the Interior Light ON and OFF

### 3. Temperature Display

Displays the Temperature.

### 4. Temperature “” & “” Controls

Press the  button to increase the Set Temperature by 1 °C (or 1 °F)  
Press the  button to decrease the Set Temperature by 1 °C (or 1 °F)

### 5. Temperature units

Press and hold the  and  buttons simultaneously  
to alternate between Celsius or Fahrenheit display.

Celsius temperature range is 5–18 °C. Fahrenheit temperature range is 41–65 °F.

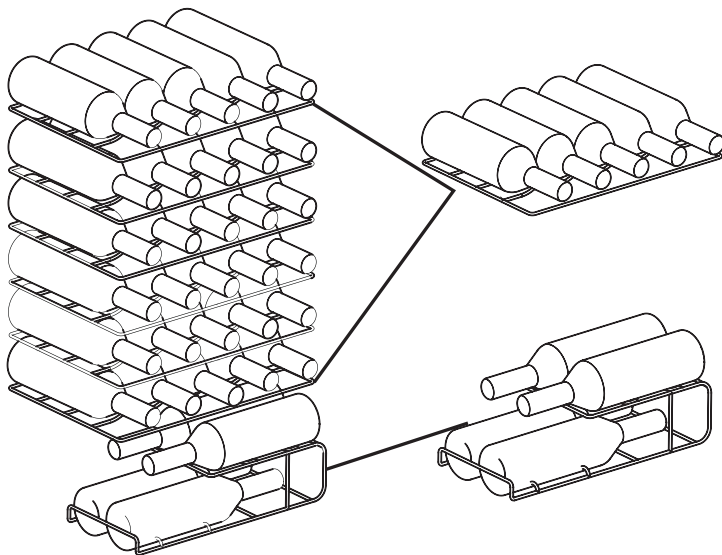
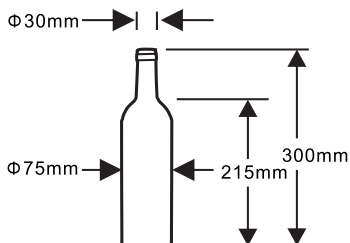
**Memory function:** This wine cabinet has a power off memory function. If the unit is powered off, the wine cabinet will run according to previous the setting once it is powered back on. The appliance must be in operation for at least 15 minutes for the memory function to work.

*Note: The images in this user manual are for reference only. Your appliance may appear differently.*

# Bottle Arrangement

## **BOTTLE ARRANGEMENT:**

- To maintain good air circulation in the cabinet, do not let any bottles touch the back wall of wine cabinet.
- The bottle number here may be different from bottles in different shape and size.
- The capacity for bottle storage in the wine cabinet is based on the following marked bottle size. Oversized bottle may have impact on the number of bottle storage in the wine cabinet.



*Note: The images in this user manual are for reference only. Your appliance may appear differently.*

# Tips for Wine Storage

## **PRACTICAL WINE STORAGE TIPS:**

- Do not store bottled wine by box or case in refrigerator.
- The cork of an old bottle should always be soaked in the wine when storing into wine cabinet. Air space is not recommended between wine and cork.
- Recommendations before drinking: Placing lightly coloured red wine out on the table 2–5 hours before drinking and red wine for 4–5 hours so they can reach the suitable serving temp. Opening the bottles during this period can assist with the service of heavier red wines as well. White wine can be placed on the table right away. Champagne should always be stored in the cabinet and taken out only before drinking.
- Please note that wine's temperature is always lower than ideal serving temperature, as the temperature will immediately rise 1–2 °C when pouring into the glass.

## **SERVING TEMPERATURE TABLE**

The wine's taste depends on right pouring temperature, which determines its flavour. We suggest the wine's temperature reaches the following degree when pouring:

<b>Wine Type</b>	<b>Recommended Serving Temperature</b>
Bordeaux red	18 °C
Louis Family dry red wine/Barolo	17 °C
Burgundy red/Bordeaux red	16 °C
Port	15 °C
Young Burgundy red	14 °C
Young red wine	12 °C
Young Beaujolais / all white wines with little residual sugar	11 °C
Old white wines/Chardonnay	10 °C
Sherry	9 °C
Young white wines from late vintage	8 °C
White wines Loire/Entre-deux-Mers	7 °C

# Maintenance and Cleaning

## **DISCONNECTING THE WINE CABINET**

Unplug power plug to disconnect the wine cabinet.

## **WHEN NOT USING YOUR WINE CABINET FOR A SHORT PERIOD OF TIME (14 DAYS)**

Unplug the unit.

## **WHEN NOT USING YOUR WINE CABINET FOR A LONG PERIOD OF TIME (IE. IN STORAGE)**

- Unplug the appliance.
- Clean the inside of the Wine Cabinet using a slightly damp cloth and thoroughly dry.
- Leave the Wine Cabinet door open for ventilation.

## **CLEANING**

**WARNING:** Before cleaning the appliance, make sure it is switched off and disconnected from the power supply. Failure to do so can result in electric shock or injury.

We recommend to clean dust behind the cabinet and on the ground regularly to improve the cooling effect and save energy. The interior of the cabinet should be cleaned regularly to avoid odor. Cleaning procedure is below:

- Unplug power plug.
- Clean door seal with only clear water and give thorough wipe.
- Remove the timber shelves and chrome basket.
- Use slightly warm water and a little dish soap to clean cabinet, timber shelves and chrome basket.  
Do not let water spill onto any operation control elements or illuminator on glazed door.
- Reconnect and power cabinet when cleaning is completed.

## **WARNING**

Do not use hard brushes, steel wool, wire brushes, abrasives such as toothpastes, organic solvents (such as alcohol, acetone, banana oil, etc.), boiling water, acid or alkaline items to clean the cabinet considering that this may damage the cabinet surface and interior.

Do not rinse with water so as not to affect the electrical insulation properties.

Do not use detergent and solvent with sand or acid properties.

# FAQs and Troubleshooting

<b>Problem</b>	<b>Possible Resolution</b>
The appliance does not operate.	<ul style="list-style-type: none"> <li>• Check whether the cabinet is plugged and connected to power;</li> <li>• Low voltage;</li> <li>• Check whether temperature control knob is in the work area;</li> <li>• Failure power or tripping circuit.</li> </ul>
Long-term operation of compressor.	<ul style="list-style-type: none"> <li>• It is normal that cabinet operates for longer time in summer when the ambient temperature is higher;</li> <li>• Do not store too much wine in the cabinet at one time;</li> <li>• Frequent opening of cabinet door.</li> </ul>
LED light does not shine	<ul style="list-style-type: none"> <li>• Check whether the chiller is connected to power</li> <li>• The LED is damaged. Contact our After Sales Support on 1300 11 4357.</li> </ul>
Loud noises	<ul style="list-style-type: none"> <li>• Check whether the cabinet is level and the cabinet is stable</li> <li>• Check whether the cabinet accessories are properly placed.</li> </ul>
Cabinet enclosure heat condensation	<ul style="list-style-type: none"> <li>• The cabinet enclosure may emit heat during operation. Especially in summer, this is caused by the radiation of the condenser, and it is a normal phenomenon.</li> <li>• Condensation: condensation phenomenon will be detected on the exterior surface and door seals of the cabinet when the ambient humidity is high, this is a normal phenomenon, and after wiping with towel, turns up the set temperature of the appliance properly.</li> </ul>
Airflow sound Buzz Clatter	<ul style="list-style-type: none"> <li>• Refrigerants circulating in the refrigerant lines will produce eruption of sound and grunts which is normal does not affect the cooling effect.</li> <li>• Buzz will be generated by running compressor specially when starting up or shutting down.</li> <li>• The solenoid valve or electric switch valve will clatter which is a normal phenomenon and does not affect the operation.</li> </ul>

## **Fault Indication**

If the display screen shows any codes displayed in the following table, it means the cabinet is with fault. Please do not disassemble wine cabinet by yourself. Contact our after sales support centre on 1300 11 43 57.

<b>Fault Code</b>	<b>Description</b>
E1	<ul style="list-style-type: none"> <li>• Temperature sensor of the wine cabinet with fault</li> </ul>
E4	<ul style="list-style-type: none"> <li>• Defrosting sensor of the wine cabinet with fault</li> </ul>



# Specifications

<b>Model:</b>	HBRWC34B
<b>Gross Volume:</b>	96L
<b>Storage Volume:</b>	93L
<b>Product Dimensions (W, D, H):</b>	480mm, 440mm, 842mm
<b>Weight (Net/Gross):</b>	25.8kg/28kg
<b>Temperature Range:</b>	5–18°C
<b>Max Noise Rating:</b>	39dB
<b>Voltage:</b>	220–240V/50Hz
<b>Refrigerant:</b>	R600a/28g
<b>Climate Class:</b>	T
<b>Protection Class:</b>	I
<b>Other Features:</b>	Internal LED light
	Electronic controls
	Double glazed tinted glass door
	Timber shelves
	Adjustable feet



# H A R B U R

Wine Cabinet 34 Bottle Capacity

## Repair and Refurbished Goods or Parts Notice

---

Unfortunately, from time to time, faulty products are manufactured which need to be returned to the Supplier for repair.

Please be aware that if your product is capable of retaining user-generated data (such as files stored on a computer hard drive, telephone numbers stored on a mobile telephone, songs stored on a portable media player, games saved on a games console or files stored on a USB memory stick) during the process of repair, some or all of your stored data may be lost.

**We recommend you save this data elsewhere prior to sending the product for repair.**

You should also be aware that rather than repairing goods, we may replace them with refurbished goods of the same type or use refurbished parts in the repair process.

**Please be assured though, refurbished parts or replacements are only used where they meet ALDI's stringent quality specifications.**

If at any time you feel your repair is being handled unsatisfactorily, you may escalate your complaint. Please telephone us on 1300 11 43 57 or write to us at:

165 Barkly Avenue,  
Burnley VIC 3121  
Australia

Email: [support@residentiagroup.com.au](mailto:support@residentiagroup.com.au)

Helpline hours of operation:  
Mon–Fri  
9:00 AM - 5:00 PM





## Warranty returns

Should you for any reason need to return this product for a warranty claim, make sure to include all accessories with the product.

## Product does not work?

If you encounter problems with this product, or if it fails to perform to your expectations, make sure to contact our After Sales Support Centre on 1300 11 4357\*

For an electronic copy of this manual, go to [www.harbour-appliances.com.au](http://www.harbour-appliances.com.au) and download a copy.

H A R B O U R



E2447

**AN INITIATIVE BY RESIDENTIA GROUP**

TEL: 1300 11 4357 | EMAIL: [SUPPORT@RESIDENTIAGROUP.COM.AU](mailto:SUPPORT@RESIDENTIAGROUP.COM.AU)